

Kemlan The Choice is Clear



Super Nova Freestanding

A contemporary slow combustion wood heater

 **KEMLAN**
ESTABLISHED 1969
Clean Burning Slow Combustion Heaters



Super Nova Freestanding Slow Combustion Wood Heater

The Kemlan Super Nova is a contemporary heater which will be a stylish feature in your home. This heavy duty heater is an outstanding choice for larger home heating requirements. With its easy to load firebox, the Super Nova provides maximum warmth with a minimum of effort.

Kemlan heaters burn safely, with the flame behind a large, strong glass ceramic viewing area. The glass ceramic shall remain clean throughout the life of the fire by an advanced airwash system designed within the firebox. The flames are so natural, the glass so clean, that viewing is actually more satisfying than an open fireplace.

The fully shielded firebox incorporates a natural convection system. This system allows warmth to circulate throughout your home. An optional 3 speed fan is available to increase circulation by fan forced convection.

Kemlan offers you flexibility in your choice of colours. The Super Nova is available in four standard colours: Satin Black, Charcoal, Golden Fire Brown and Metallic Moss Green or four special colours: these are Metallic Brown, Pewter, Metallic Blue and Forrest Green.

Kemlan is a wholly owned and operated Australian Company established in 1969, specialising in the design and manufacture of quality wood heating appliances.

Relax in comfort with a Super Nova Freestanding warming your home.



**CLEAN**

- Environmentally friendly
- Complies to AS/NZS 4012/4013 for clean emission output
- Preheated primary airwash system ensures a clean view of the fire

SIMPLE

- Trouble free operation
- One easy slide control for steady controllable heat
- No levers, rods or dampers
- Easy to light

SAFE

- Tested to AS/NZS 2918 for safety clearances
- Fully shielded convection firebox
- Large glass ceramic viewing area

EFFICIENT

- High heat output
- Natural convection system
- Optional 3 speed fan

ROBUST

- Manufactured to AS/NZS 3869 for strength and durability
- 6mm welded steel firebox
- Firebrick lined floor
- Removable heavy duty baffle plate
- Heavy duty door hinges
- Serviceable door handle assembly
- Stainless steel glass holder

Technical Specifications

Construction

- 6mm heavy duty steel firebox
- fully welded 25 mm thick firebrick lined floor
- 6mm heavy duty steel baffle plate

Performance

- heating capacity 170-240m² (18-25 squares)
- peak heat output 16.4kW
- average emission output 3.6g/kg

BURN RATE			
	HIGH	MEDIUM	LOW
Average heat output (kW)	13.4	7.6	4.7
Fuel consumption (kg/hr)	4.2	2.3	1.3

AMDEL test report no. IAM0656

Fuel type – hardwood



Heating capacity of this appliance is given as a guide only and may vary depending on the climate zone and type of dwelling (floor plan and degree of insulation). Consult your local authorised distributor to determine realistic expectations for your home.

Heat output and fuel consumption of this appliance is dependant on the moisture content, size, loading geometry and the type of hardwood used.

The appliance complies to the safety standards AS/NZS 2918. When in use some parts may become hot. A suitable fireguard is recommended where the very young, elderly or infirm are concerned.



Kemlan Industries Pty Ltd ABN 43 003 209 961
Specialists in Fireplace Design and Manufacture

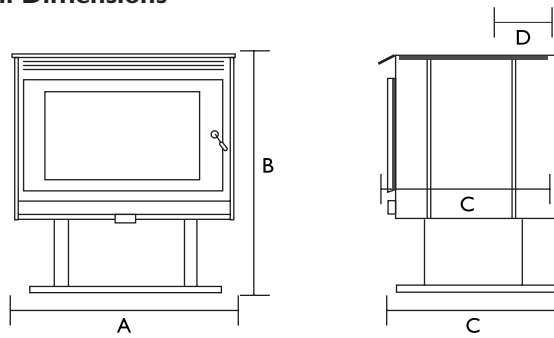
Head Office: 59 Pineapple Street Zillmere QLD
PO Box 259 Zillmere QLD 4034 Australia

Telephone: (07) 3263 8488 Facsimile: (07) 3263 6452
www.kemlan.com

Kemlan is a subsidiary of
Jetmaster Fireplaces Australia P/L.

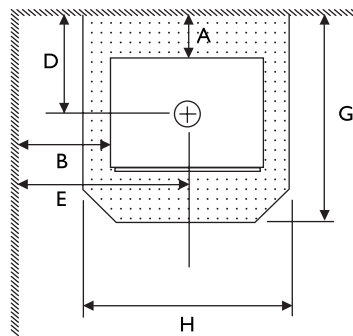
Your Local Retail Outlet:

Overall Dimensions

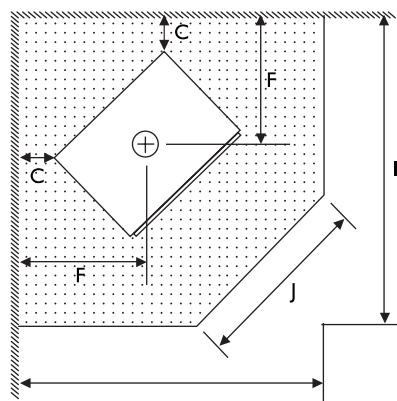


A – Width 660mm C – Depth 550mm
B – Height 745mm D – Depth (centre of flue to back) 215mm

Minimum Clearances to Heat Sensitive Materials and Minimum Floor Protector Requirements



Standard Installation



Corner Installation

A – 100mm
B – 250mm
C – 50mm
D – 315mm
E – 580mm
F – 490mm
G – 1100mm
H – 1000mm
I – 1200mm
J – 500mm

One 900mm length of heatshield must be fitted to the flue to achieve clearances to heat sensitive materials (measurements A B C D E F).

A floor protector is required where the floor is heat sensitive. Thickness to be a minimum of 14mm heat resistant material and must extend 450mm in front and 200mm to each side of the firebox opening (measurements G H I J).

Glass viewing area - 450mm wide x 250mm high

Flue pipe - 150mm Ø - top exit

Shipping weight - 136kg

All dimensions shown are approximate. Check all dimensions accurately before installation. Before installation refer to the installation instructions.

In line with our policy of continuous improvement, we reserve the right to alter specifications without notice.

10 YEAR FIREBOX WARRANTY

The firebox is covered by a 10 year warranty.

Other parts are covered by a one year limited warranty.